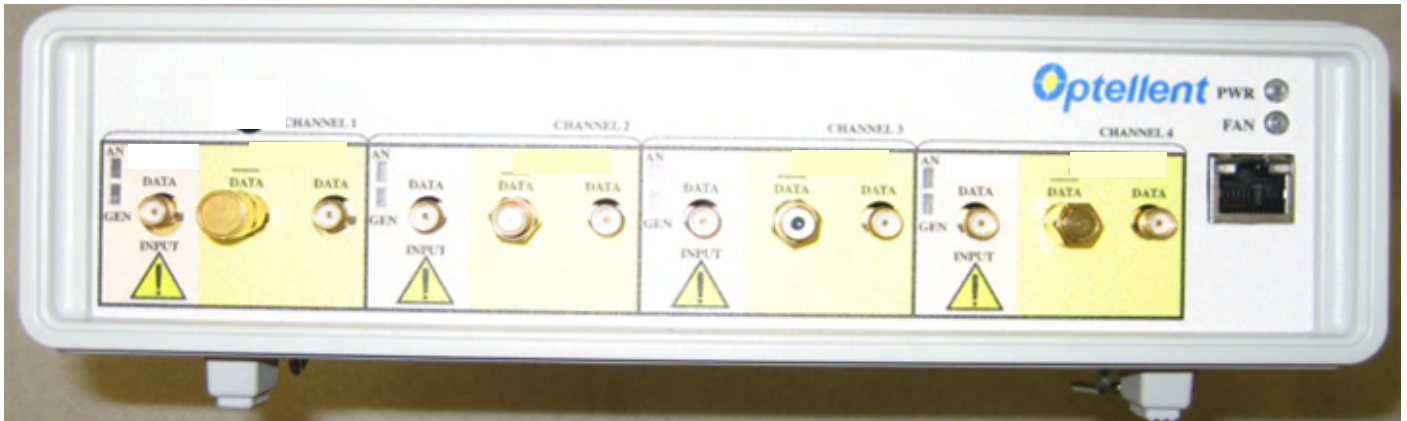


ORS- Series Multi-channel RF Switch



Overview

The OPTELLENT ORS-Series Multi-channel RF Switch is a cost-effective easy-to-use switch solution for testing components and systems in R&D and manufacturing environments. RF connections are routed through an absorptive switch network capable of fast and reliable switching. Multiple channels can be re-arranged using software to achieve different configurations. The switch is available in bench-top and rack-mountable chassis.

An intuitive graphical user interface (GUI) enables easy point-and-click operation through an RS232 or USB interface. Software drivers are available for incorporating the switch into test automation suites using programs like LabVIEW, VisualBASIC, C, etc.

Applications

- ▶ Wireless and fiber optic testing
- ▶ Automated multi-channel testing of RF components, subsystems and systems
- ▶ Wireless and datacom network monitoring

Key Features

- ▶ **Wide bandwidth**
- ▶ **High Reliability**
- ▶ **Multi-channel options**
- ▶ **Efficient and Easy-to-Use**
- ▶ **RS232 or USB Interfaces**

Switching Configurations

The switch is fully bi-directional and transparent to the underlying protocols in the RF signals.

The basic unit is a 2-to-1 RF switch. The System can be configured with 4 to 16 switches which can be operated in manual or automated modes using the software. The software also allows the creation of timing profiles to automatically trigger switching activity.

Technical Specifications

Parameter	Min	Typ	Max	Unit
Bandwidth ¹	500		18000	MHz
Insertion Loss ²	0.2		1.7	dB
Return Loss ³			20	dB
Isolation ²		60		dB
Input IP3		49		dBm
Input 1 dB Compression		24		dBm
Switching time ⁴			70	ns

¹ Available in different ranges; see ordering information

² At 2000 MHz

³ ON state

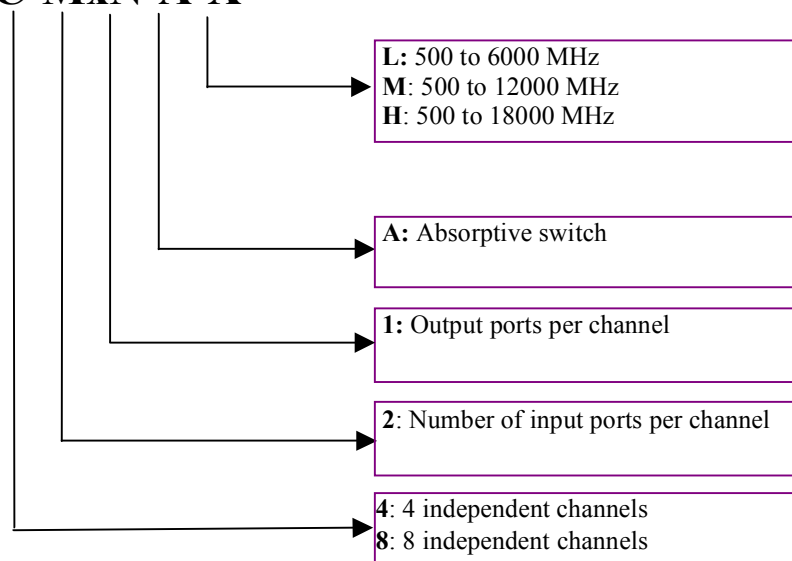
⁴ Refers to switch component itself. Switching time from GUI change is on the order of milliseconds

System and General Specifications

	Unit	Min	Typ	Max
Control interface			RS232 / USB	
RF Connectors			SMA female	
Operating Temperature	°C	0		70
Storage Temperature	°C	-40		85
Size (L x W x H)	mm ³		300 x 240 x 64	
Voltage	VAC		100 – 240	
Current	A		2	
Standard Warranty			12 Months	

Ordering Information

ORS-C-MxN-A-X



Example: ORS-4-2x1-A- L: 4-channel 2x1 RF Absorptive Switch for 500 to 6000 MHz

Specifications are subject to change without notice.
OptoBERT™ is a registered trademark of Optellent, Inc.

© 2017 OPTELLENT Inc.

Rev 1.0